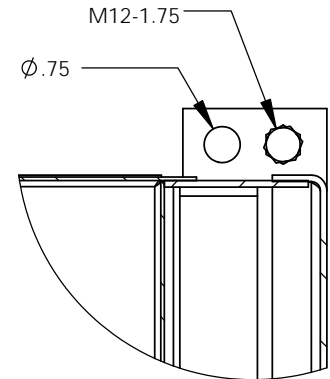
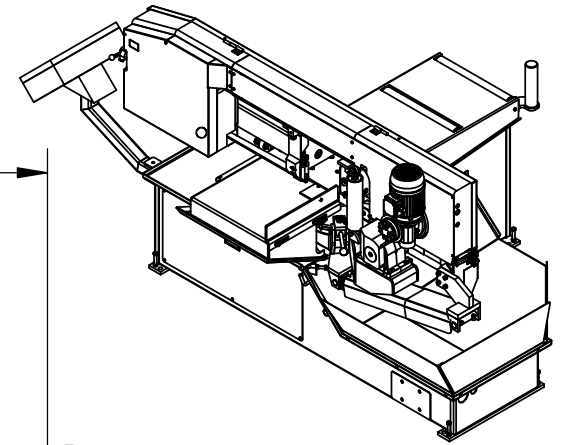
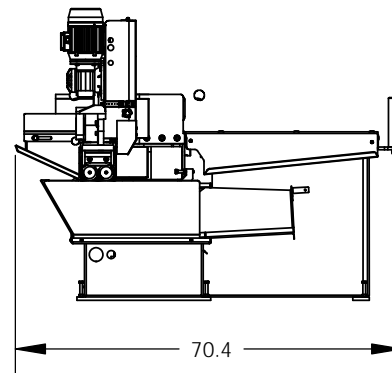
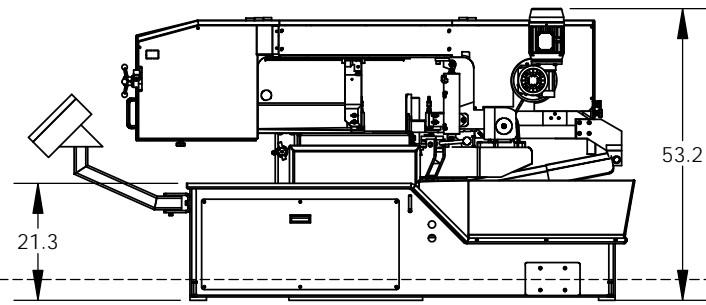


SECTION A-A



DETAIL B  
SCALE 1 : 4



A

A

REVISIONS			
REV	ECN NUMBER	DATE	BY
-	-	-	-
-	-	-	-

STANDARD  
HYDMECH  
TOLERANCES  
UNLESS  
OTHERWISE  
SPECIFIED

DIMENSIONS  
ARE IN INCHES

THIRD ANGLE PROJECTION

**HYDMECH GROUP LIMITED**

WOODSTOCK, ONTARIO, CANADA N4S 0A9

TITLE <b>S20 Series III</b>					
MODEL: S20M	COMPONENT GROUP: 00 - Top Level	DRWN BY: MS DATE: Jan 11, 2016	CHKD BY: DATE:	SCALE 1:35	SHEET 2 OF 2
MATERIAL CODE:	MATL:	PART WEIGHT:	COATING: No Coating		
DRAWING NUMBER: <b>S20M-0-00</b>				REV -	

THE DATA/DESIGN CONTAINED HEREIN IS PROPRIETARY AND CONFIDENTIAL. REPRODUCTION, PUBLICATION OR DISTRIBUTION OF ANY PART REQUIRES WRITTEN CONSENT OF HYDMECH GROUP. THIS DATA IS THE PROPERTY OF HYDMECH GROUP AND ITS POSSESSION CONFERS NO LICENSE TO USE OR RIGHT OR LICENSE TO DISCLOSE IT TO OTHERS FOR ANY PURPOSE WHATSOEVER. ALL RIGHTS RESERVED.