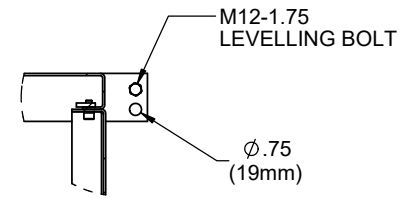
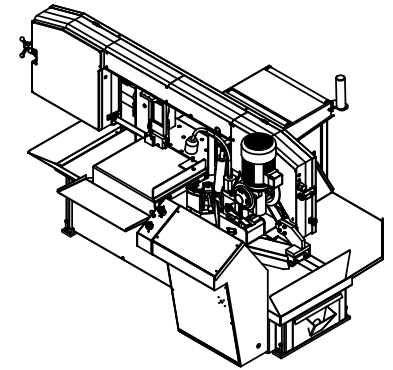
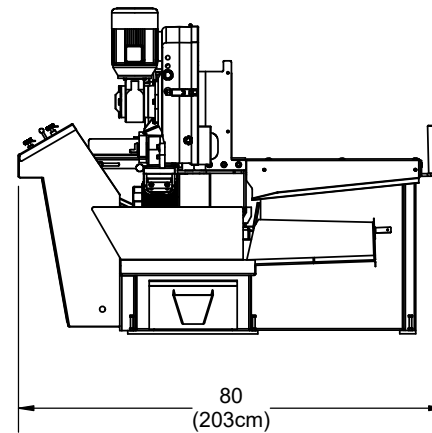
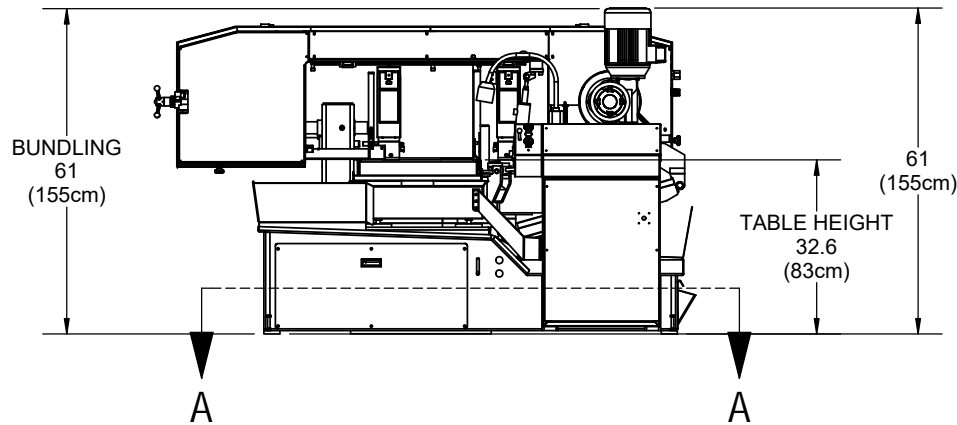


SECTION A-A  
FOUNDATION PLAN



DETAIL B  
SCALE 1 : 12  
ANCHOR POINT DETAIL



THE DATA/DESIGN CONTAINED HEREIN IS PROPRIETARY AND CONFIDENTIAL. REPRODUCTION, PUBLICATION OR DISTRIBUTION OF ANY PART REQUIRES WRITTEN CONSENT OF HYD-MECH GROUP. THIS DATA IS THE PROPERTY OF HYD-MECH GROUP AND ITS POSSESSION CONFERS NO LICENSE TO USE OR RIGHT OR LICENSE TO DISCLOSE IT TO OTHERS FOR ANY PURPOSE WHATSOEVER. ALL RIGHTS RESERVED.

REVISIONS				STANDARD TOLERANCES UNLESS OTHERWISE SPECIFIED		HYD - MECH GROUP LIMITED WOODSTOCK, ONTARIO, CANADA N4S 0A9								
REV	ECN NUMBER	DATE	BY	DIMENSIONS ARE IN INCHES		TITLE: S23HMP BANDSAW MACHINE								
-	-	-	-	LINEAR		MATERIAL CODE:		MAT'L:	SAW CUT LENGTH	DRWN BY: MS/LOS	CHKD BY:	SCALE	SHEET	REV
-	-	-	-	ANGULAR		ASSEMBLY				DATE: MAY 2014	DATE:	1:36	1 OF 2	-
				.X +/- .015 IN		THIRD ANGLE PROJECTION		OVERALL DIMENSIONS			COATING: No Coating			
				.XX +/- .010 IN		THK/OD		WIDTH/ID	WALL/WT	LENGTH	DRAWING NUMBER: S23HMP-0-00_LAYOUT			
				.XXX +/- .005 IN		= 125 MICROINCHES								