

THE DATA/DESIGN CONTAINED HEREIN IS PROPRIETARY AND CONFIDENTIAL. REPRODUCTION, PUBLICATION OR DISTRIBUTION OF ANY PART REQUIRES WRITTEN CONSENT OF HYDMECH GROUP. THIS DATA IS THE PROPERTY OF HYDMECH GROUP AND ITS POSSESSION CONFERS NO LICENSE TO USE OR RIGHT OR LICENSE TO DISCLOSE IT TO OTHERS FOR ANY PURPOSE WHATSOEVER. ALL RIGHTS RESERVED.

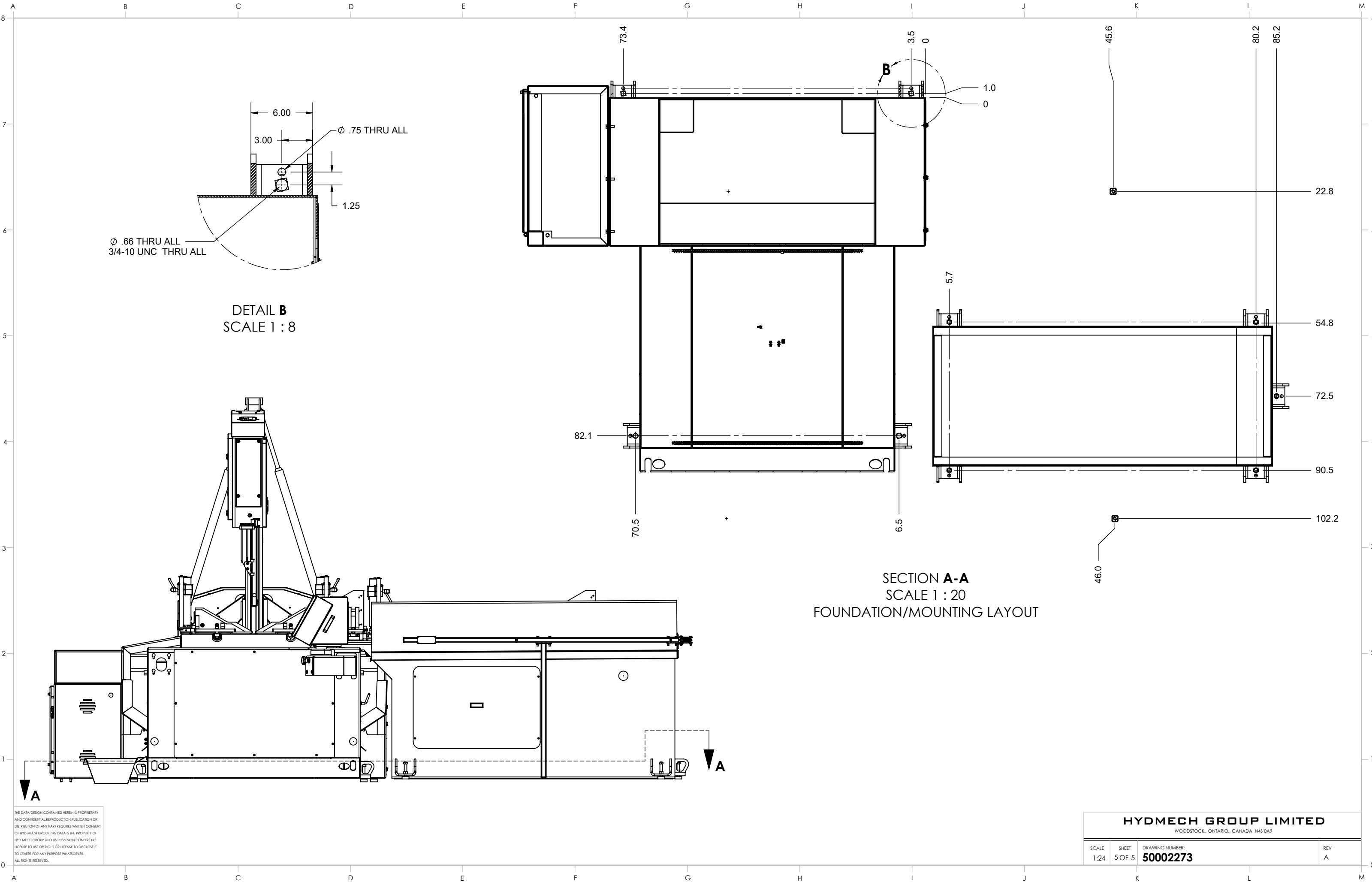
REVISIONS			
REV	ECN NUMBER	DATE	BY
-	ECN-01326	01/19/2018	MO
A	ECN-01358	03/15/2018	MO

STANDARD HYDMECH TOLERANCES UNLESS OTHERWISE SPECIFIED  
 DIMENSIONS ARE IN INCHES  
 THIRD ANGLE PROJECTION

**HYDMECH GROUP LIMITED**  
 WOODSTOCK, ONTARIO, CANADA N4S 0A9

TITLE: **V18APC/60 - RH INFEEED**

MODEL: V18APC	COMPONENT GROUP: 00 - Top Level	DRWN BY: MO	CHKD BY: GP	SCALE: 1:32	SHEET: 4 OF 5
MATERIAL CODE:	MATL:	DATE: Apr 03, 2018	DATE: 04/09/2018	PART WEIGHT: 7403.291 lbs	COATING: No Coating
DRAWING NUMBER: <b>50002273</b>					REV: A



THE DATA/DESIGN CONTAINED HEREIN IS PROPRIETARY AND CONFIDENTIAL. REPRODUCTION, PUBLICATION OR DISTRIBUTION OF ANY PART REQUIRES WRITTEN CONSENT OF HYD-MECH GROUP. THIS DATA IS THE PROPERTY OF HYD-MECH GROUP AND ITS POSSESSION CONFERS NO LICENSE TO USE OR RIGHT OR LICENSE TO DISCLOSE IT TO OTHERS FOR ANY PURPOSE WHATSOEVER. ALL RIGHTS RESERVED.

<b>HYDMECH GROUP LIMITED</b>			
WOODSTOCK, ONTARIO, CANADA N4S 0A9			
SCALE	SHEET	DRAWING NUMBER	REV
1:24	5 OF 5	<b>50002273</b>	A